
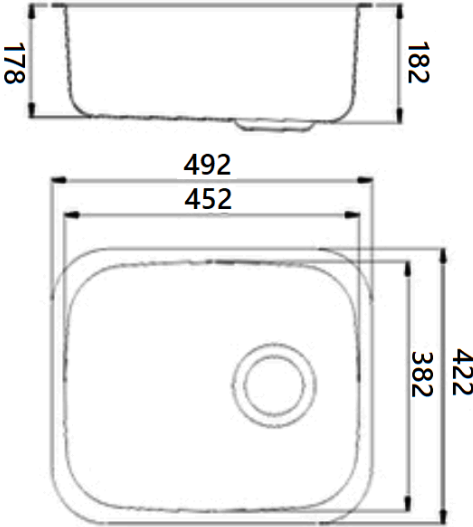




PROJECT		REF		REV	ITEM CODE	
LOCATION		DATE			PAGE	

SANITARY WARE SPECIFICATION SHEET

Item Descriptions	Idecor (PRC) 304 Stainless steel single bowl insert sink with waste fittings	Illustration/ Drawing
Dimensions	L492 x W422 x H182 mm (Overall) L452 x W382 x H178 mm (Bowl)	 
Model	U1558	
Material	Stainless Steel 304	
Manufacturer	Idecor (PRC)	
Source	Acme Sanitary Ware Co. Ltd Mr. Eric Wong/ Mr. Don Yuen	
Contact Tel/Fax	(852) 2388-7171 / (852) 2710-8012	
E-mail	acme@acmesanitary.com.hk	
Website	www.acmesanitary.com.hk	
Product Detail :		
<ul style="list-style-type: none"> • Model : U1558 • Size (mm) : 492 mm x 422 mm x 182 mm • Size (inch) : 16" x 19" x 7" • CUT-OUT (mm) : 457 mm x 387 mm • 304 stainless steel single bowl 		

Note:

* All information of the above is for the reference only. No prior notice is made if any changes.